



## Rivetless Chain Features

**Quality Forged** - Years of service and thousands of installations demonstrate the success of Webb rivetless chain.

Chain components are drop-forged from high strength Microloy™ steel, precision forged and finished, making them **20% stronger** than components made from standard carbon steel chain. Webb rivetless chain provides the smoothest chain pin bearing surface in the industry, minimizing the initial break-in period.

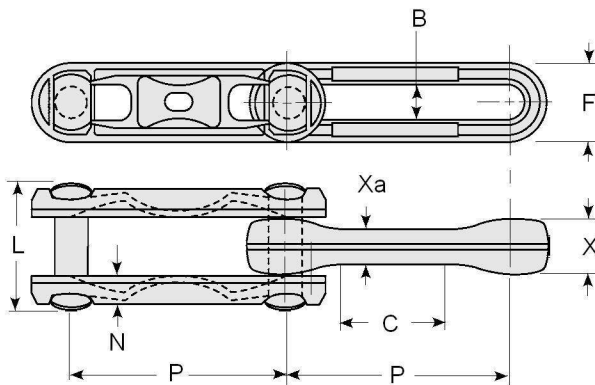
**Performance** - Quality materials and construction minimize chain stretch and maximize service life.

**100% Inspection** - Webb conducts 100% inspection of every X-458 and X-678 link to verify hardness. In addition, every piece is subjected to on-line dimensional inspection, and backed up by computerized data to satisfy our stringent quality assurance standards.

All chain parts are hardened to increase resistance to wear, corrosion, abrasive action and shock loads.



All chain can be magnafluxed upon request.  
 Rivetless chain is also available in AISI 8642 Alloy steel.  
 Custom plating can be provided on any size or style chain.  
 Other chain sizes are available.



## Assembled Weight & Ultimate Strength

Chain	Part No.	Part No. Includes:		Assy Wt	Avg. Ult. Str.*
X-348	13612	13607 ..... Pin	LB	2.25	40,000 lb
		13608 ..... Side Link			
		13606 ..... Center Link	KG	1.02	18,144 kg
X-458	13613	13610 ..... Pin	LB	3.10	68,000 lb
		13611 ..... Side Link			
		13609 ..... Center Link	KG	1.40	30,845 kg
658	77498	13610 ..... Pin	LB	2.7	48,000 lb
		4277 ..... Side Link			
		4276 ..... Center Link	KG	1.22	21,773 kg
X-678	13443	13442 ..... Pin	LB	6.5	125,000 lb
		13440 ..... Side Link			
		13441 ..... Center Link	KG	2.94	56,700 kg

### Legend

- P ..... Nominal pitch
- X ..... Height of center link
- F ..... Width of chain
- Xa ... Height of chain at center of link
- L ..... Overall length of pin
- D ..... Diameter of pin
- C ..... Length of flat on center link
- B ..... Inside width of center link
- N ..... Thickness of side link

## Chain Dimensions

Chain	Part No.	P	X	F Max.	Xa	L	D	C	B	
X-348	13612	3"	3/4"	1-5/64"	1/2"	1-3/4"	1/2"	1-11/16"	17/32"	3/8"
X-458	13613	4"	1"	1-27/64"	5/8"	2-1/4"	5/8"	2"	21/32"	15/32"
658	77498	6"	1-1/64"	1-13/32"	5/8"	2-1/4"	5/8"	2-1/4"	21/32"	15/32"
X-678	13443	6"	1-9/32"	2"	27/32"	3-1/8"	7/8"	3-1/4"	31/32"	3/4"
METRIC										
X-348	13612	76	19	27	13	44	13	43	13	10
X-458	13613	102	25	36	16	57	16	51	17	12
658	77498	152	26	36	16	57	16	57	17	12
X-678	13443	152	32	51	21	79	22	83	25	19

\* Average ultimate strength values are arithmetical averages determined from current tensile test data.